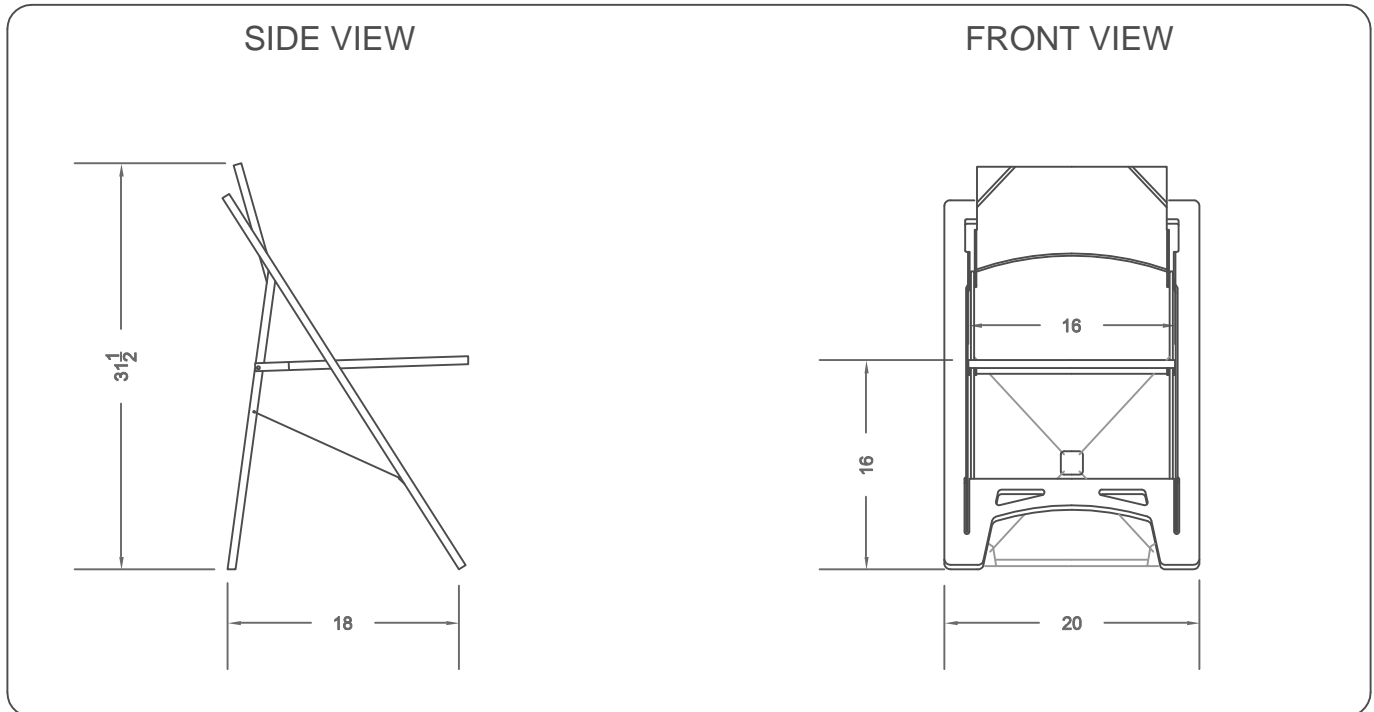




TILT CHAIR - SPECIFICATIONS

OPEN



CLOSED

SEAT BACKREST AND FRAME PLYWOOD

MOVING PARTS: POWDER COATED STEEL

RIVETS: STAINLESS STEEL

PIVOTS: STAINLESS STEEL

WEIGHT: 15 LBS

BASE WIDTH: 20"

BASE DEPTH: 18"

HEIGHT: 31.5"

SEAT WIDTH: 16"

SEAT HEIGHT (AVERAGE): 16"

WIDTH (FOLDED): 0.625"

