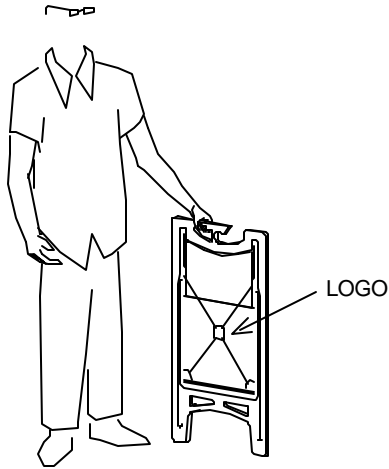


TO OPEN



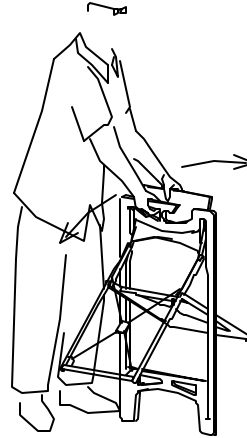
TO CLOSE

LOGO SHOULD BE FACING YOU

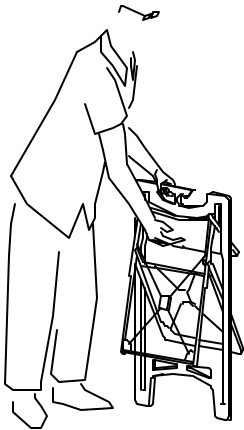


1

PULL BACKREST AWAY FROM FRAME AND FOLD DOWN



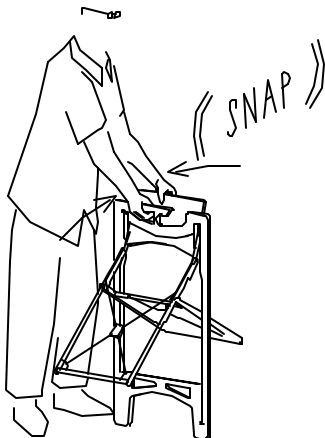
PUSH BACKREST OUT SLIGHTLY



2

The Tilt can be suspended by its built-in hook. It will fit in a standard depth closet. Please make sure your closet rod can support the weight!

PULL BACKREST FIRMLY TOWARDS FRAME TO SNAP INTO PLACE



3

STORAGE

