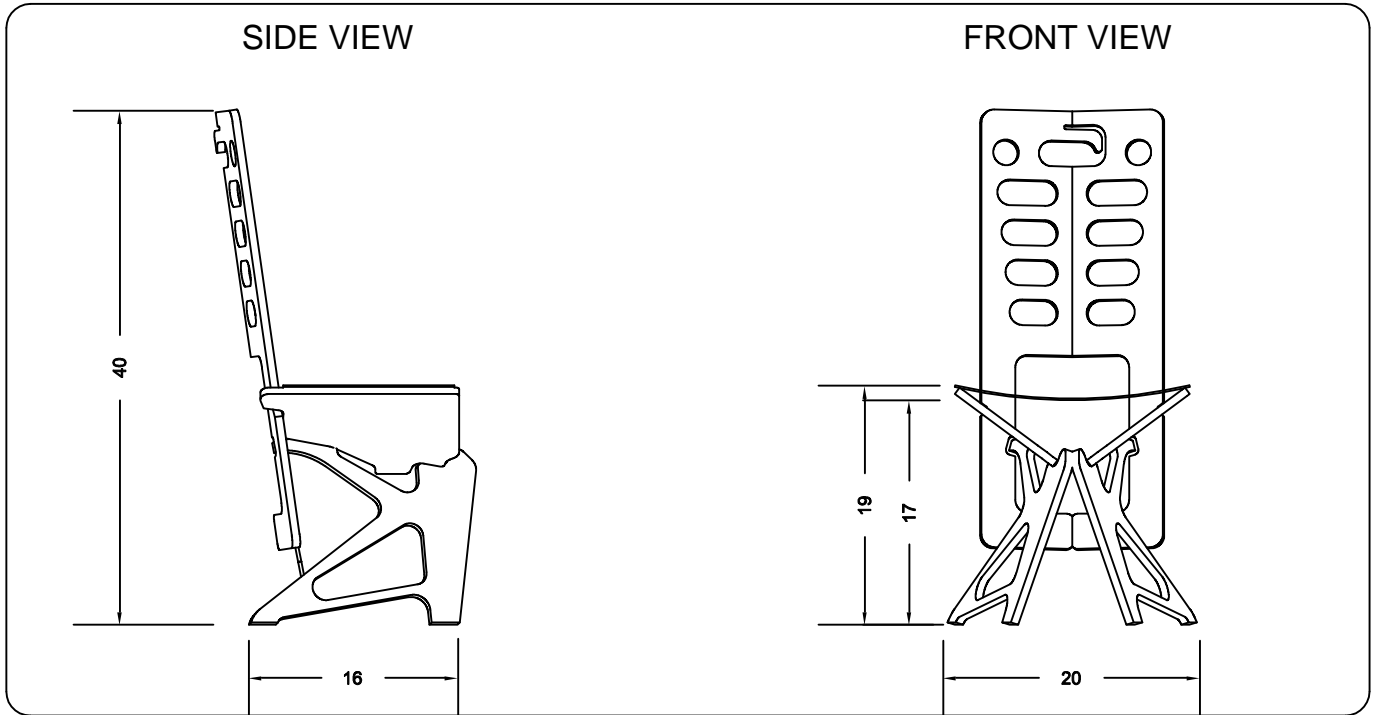




MAYA CHAIR - SPECIFICATIONS

OPEN



CLOSED

MATERIAL:	COATED PLYWOOD
HINGES AND PIVOTS:	STAINLESS STEEL
FASTENERS:	STAINLESS STEEL
SEAT FABRIC:	PVC COATED MESH
WEIGHT:	16 LBS
BASE WIDTH:	20"
BASE DEPTH:	16"
HEIGHT:	40"
SEAT WIDTH:	19"
SEAT HEIGHT (AVERAGE):	18"
WIDTH (FOLDED):	1.25"

